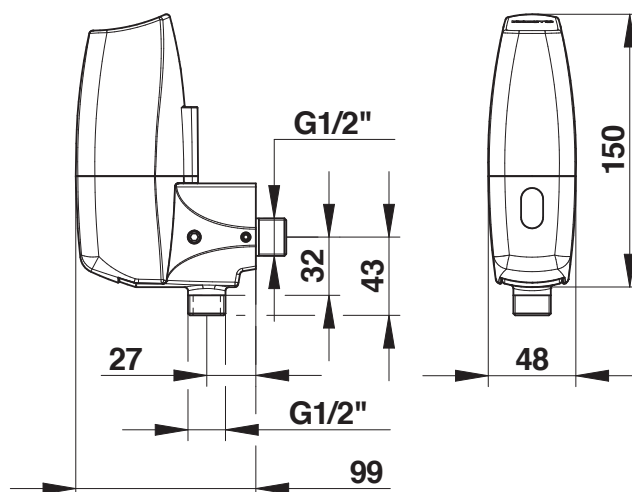


Range: Urinal sensor taps

Ref: 55371 - PRESTO SENSAO 8400 N - Rear water inlet



> Working pressure:

- 1 to 5 bar

> Flow:

- 8 l/min at 1 bar with integrated flow limiter

> Flow time:

- 6 seconds

> Hydraulic supply:

- Rear water inlet, M G 1/2" (15x21) stop valve

> Power supply:

- 6 V Lithium battery type CRP2 integrated

> Material and colour finish:

- Chrome-plated brass body
- Chrome-plated molded metal covers

> Security:

- The solenoid valve closes automatically if the battery runs out or the sensor is damaged.
- Automatic flushing every 24 hours after the last use

> Delivered with:

- Suitable gaskets
- Instruction manual

> Standards & approvals:

- Molded chrome-plated body in accordance with EN 12540
- 200-hour neutral salt spray resistant (NSS) in accordance with ISO 9227
- Brass body and components in accordance with EN 1982, EN 12164, EN 12165

