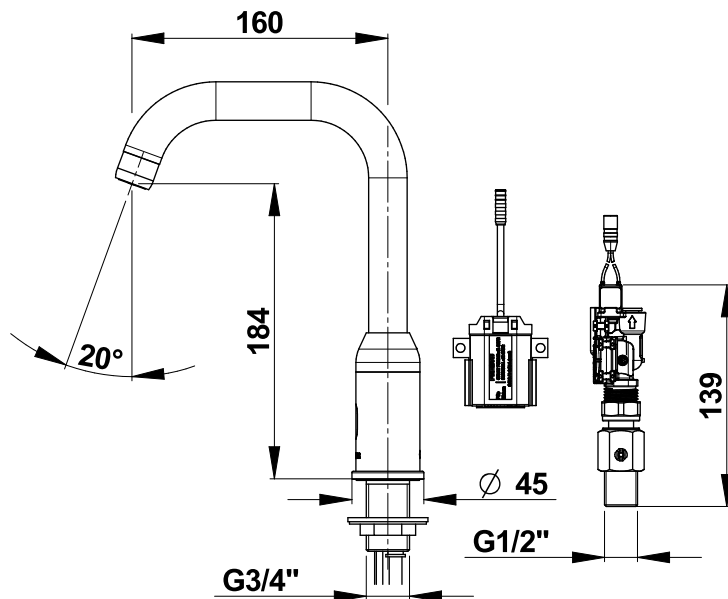


**Range:** SENSAO 6000

**Ref:** 55451 - Single deck-mounted sensor tap - Battery operated



**> Working pressure :**

- 1 to 5 bar

**> Function:**

- Sensor trigger suitable for persons with reduced mobility, children and the elderly

**> Flow :**

- 8 l/min with integrated flow limiter
- High quality anti-limescale aerator
- Anti-water-hammering design

**> Hydraulic supply :**

- M G 1/2" (15x21) for cold, hot or pre-mixed water

**> Power supply :**

- CRP2 6V Lithium battery in IP65 waterproof case

**> Material and colour finish :**

- Injected molded metal body and cover
- Fixed spout

**> Thermal resistance :**

- Resistant to a temperature of 75°C for 30-minute-thermal-shocks

**> Security :**

- Anti-overflow security time set to 30 seconds preventing the water to flow continuously
- Automatic shutdown of solenoid valve in case of low battery or sensor damage
- Duty flush 30 sec every 24h after last use (adjustable flow time and frequency with PRESTOCOM)

**> Delivered with :**

- 1 Brass clamping nut
- 1 Gasket and 1 Washer
- 1 hose, 1 solenoid 1/2" (15x21)
- 1 stop valve+ filter gasket
- 1 Self-adhesive sticker

**> Standards & approvals :**

- Brass body in accordance with EN 1982, EN 12164, EN 12165
- 200-hour neutral salt spray resistant (NSS) in accordance with ISO 9227

Ce document n'est pas contractuel ; nous nous réservons le droit de modifier les caractéristiques de nos produits sans préavis. Toutes nos marques et tous modèles sont déposés.

