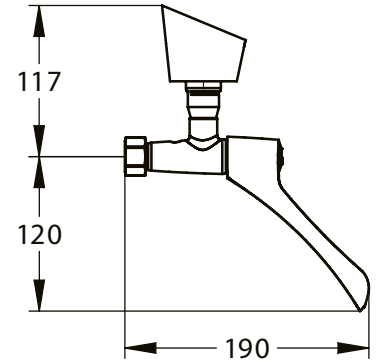
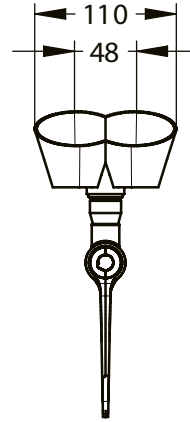


Range: SAFETY TAPS

Ref: 85763 - WALL-MOUNTED EMERGENCY EYE SHOWER



> FEATURES:

- Head model
- In brass with chemical resistant polycoat
- Minimum working pressure 1.5 bar. Maximum working pressure: 10 bar
- Push-control - G 1/2"
- Included flow regulator: 14L/min
- Anti-dust cap to avoid clogging of the mechanism
- Comply to EN15154-2 and ANSI Z 358.1 norms
- Efficiency : quick and effective rinsing (one-action activation), the push-control allows the valve to open within 1 second or less
- Identification : delivered with signs and label sticker