



**KWC**

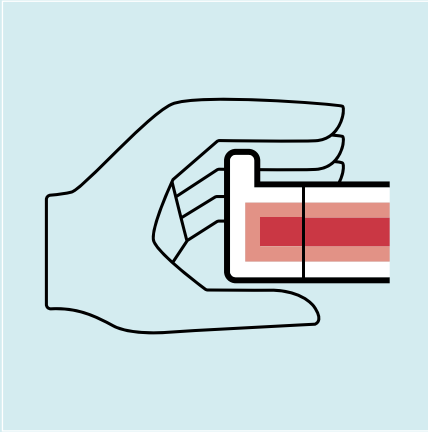
Swiss Water Experience

KWC

**DOMO**

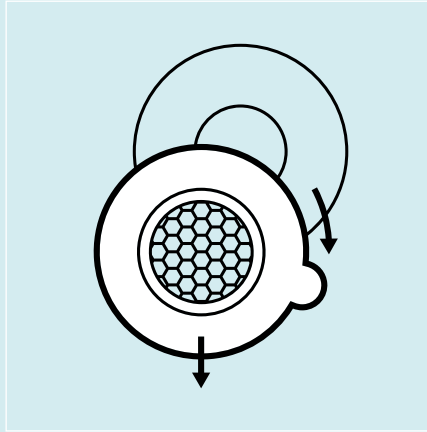
IN THE KITCHEN

## KWC +



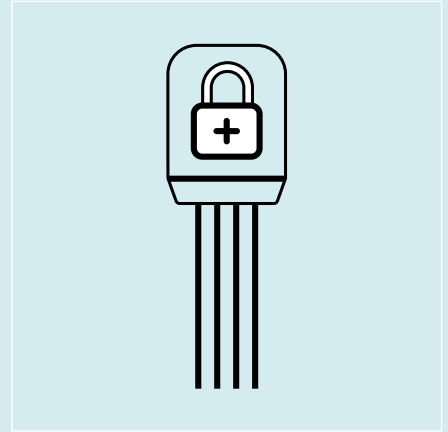
### TouchProtect

Safe to use: An insulated hot water guidance system with a "double skin" principle means the body of the faucet or the pull-out spray can become warm but never hot. In this way, TouchProtect intelligently prevents scalding.



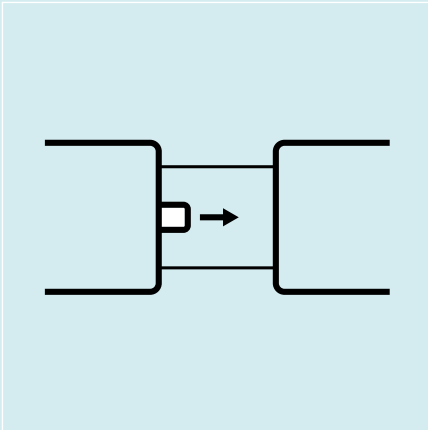
### SprayClean

Actively helps with the removal of limescale: With a special faceplate and fastening mechanism, SprayClean prevents limescale buildup. Any deposits are sprayed away automatically when the water is running. The special fastening mechanism helps with more stubborn lime deposits: simply turn, clean, and the job is done.



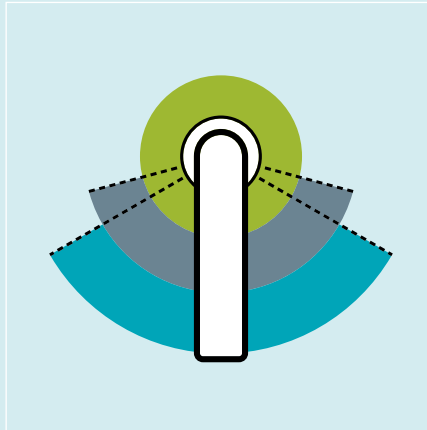
### SprayLock

Adjust the flow: With SprayLock, you can keep the jet of water from your faucet flowing exactly how you want, even when the water is shut off. When you turn the water back on, the water flows in the same way again.



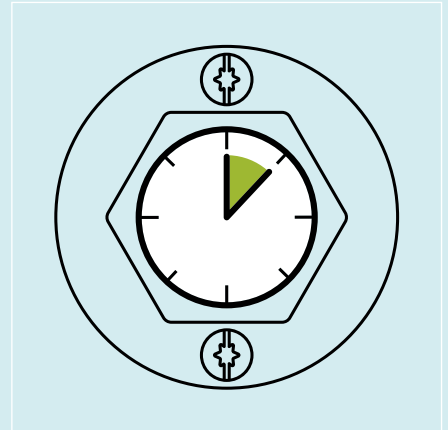
### EasyLock

A spray that is easy to use and automatically snaps into place: EasyLock is equipped with special positioning pins that ensure that the pull-out spray is always in the right position.



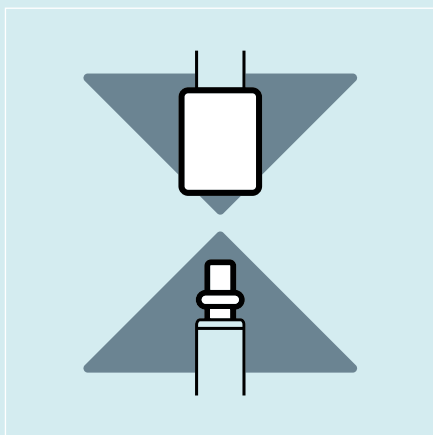
### SwivelStop

Stop the faucet from moving too far and prevent water damage: SwivelStop allows the swivel range to be adjusted from 360° to 120° or 150° in just a few steps, ensuring that the water only flows into the sink.



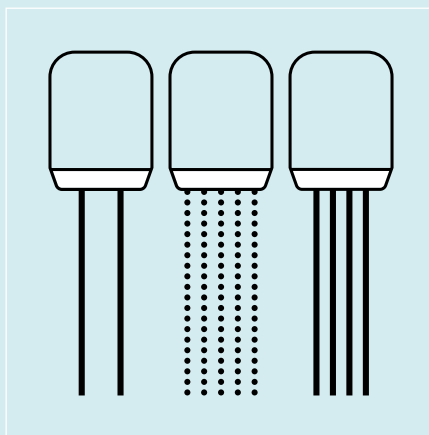
### QuickInstallation

Hassle-free positioning and fastening of the threaded connection for quick and easy installation: the locking nut is screwed into place by hand to hold the faucet in position using QuickInstallation, before it is fixed in place via the two locking screws.



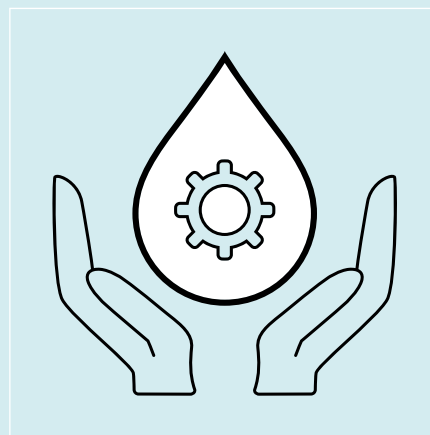
#### QuickConnect

Easy installation and more safety in the kitchen: with QuickConnect, there is no need to screw on the spray head hose, which means there is also no risk of damaging the seal and causing water damage.



#### TripleClean

Three water streams for more flexibility: TripleClean allows you to change between a normal stream for filling glasses, a soft spray for gently cleaning food, and a power spray for prerinsing and removing dirt from dishes.



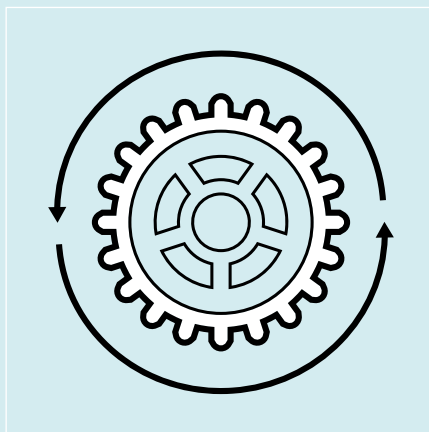
#### HealthProtect

Better hygiene and unchanged water quality: HealthProtect highlights the strict standards we set ourselves to ensure that our faucets do not affect the taste and smell of your water – that is why we use high-quality materials (metals, plastics) that are ideally suited for contact with water.



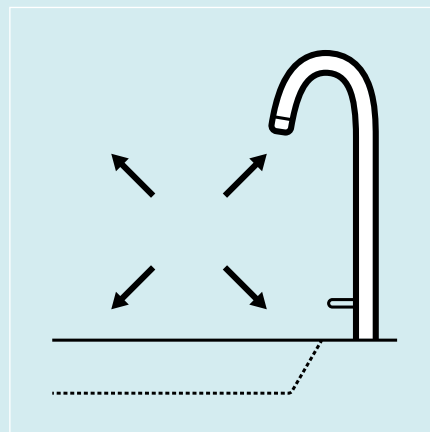
#### GlacierFinish

Robust surfaces and high-quality craftsmanship: GlacierFinish is equipped with durable surfaces that are exceptionally robust and feature an attractive polished shine that you can enjoy for years to come.



#### PrecisionMove

Exceptional elegance and precision: PrecisionMove allows for seamless movements and exceptional convenience thanks to our consistent use of top-quality materials and superior craftsmanship.



#### OptimalSpace

Practical yet elegant ergonomic design: OptimalSpace features long, tall spouts that provide ample space for washing and or working.

## TREPLUS



### The Innovative Platform

The new KWC DOMO | 6.0 shines bright, mostly with inner values: TREPLUS is the innovative new platform that forms the basis for the entire faucet. The KWC cartridge M 35 OP is the key component with its millionfold proven ceramic disc technology: as hard as diamond and resistant to calcium, ceramic discs permit light and easy use, and incomparable longevity.

- **Intuitive, simple maintenance**
- **Modern, slim design**
- **Fast, secure installation**
- **Complies with and exceeds national and international standards in terms of safety, drinking water hygiene, and health**
- **Exquisite quality of material and workmanship of individual parts**

### Cartridge

The new KWC cartridge takes comfort to a new level: operation feels even more pleasant and natural. In addition, it permits an extremely precise and individual setting of water quantity and temperature. Even for the installer, the handling has never been so simple and comfortable.

## STREAM TYPES



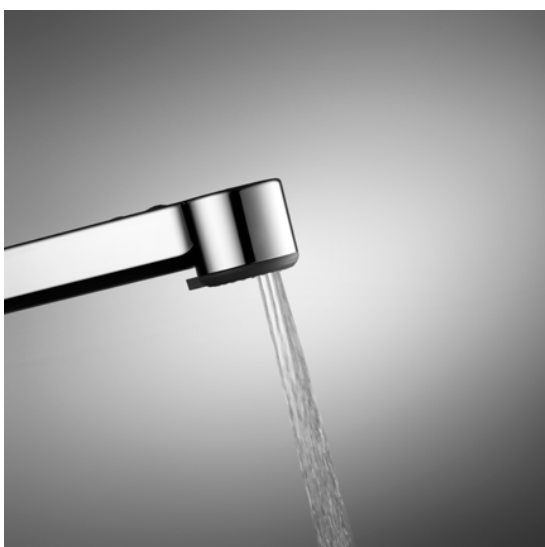
### **Normal stream**

Aerated water stream for washing dishes or for filling glasses, pans, or other containers.



### **Soft spray**

Soft water stream for gently washing vegetables, salads, and other foods.



### **Power spray**

Full water pressure for efficient removal of dirt or for prerinsing dishes.



## A DESIGN CLASSIC, REDEFINED

Taking perfection and proven technology to a whole new level: Every product in the new generation KWC DOMO | 6.0 product line is a marvel. The new generation has a refined look and flawless feel. It is intuitive to use with a well-thought-out ergonomic design, and it comes with three types of water stream. Discover the finesse and incredible benefits of this legendary design classic for yourself.

A contemporary look with the technology of the future: the lever mixer can be provided as a top-operated or side-operated version, and all versions can be fitted with a swivel spout or a pull-out spray.











**Kitchen**

Lever mixer

- Swivel spout 150°
- OptimalSpace - Ample space for washing or working
- flow rate and temperature continuously variable
- temperature limitation
- QuickInstallation - Fastening via threaded connection with locking screws

**10.661.023.000FL** all chrome A 225

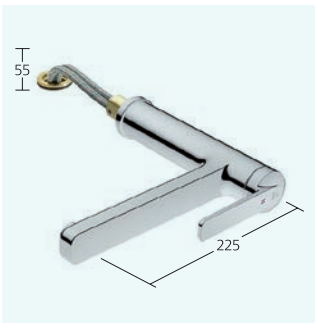


**Kitchen**

Lever mixer

- TouchProtect - Anti-scald protection thanks to the "double skin" principle
- Intrinsically safe against backflow
- Pull-out spray
- SprayClean - easy to clean and actively prevents limescale buildup
- up to 600 mm pull-out length
- TripleClean - Normal, soft, and power stream modes
- hose surface to fit faucet surface
- QuickConnect - Simple hose connection system
- Hose guide, swivelling 120°
- EasyLock - A pull-out spray that easily slides back into place
- OptimalSpace - Ample space for washing or working
- flow rate and temperature continuously variable
- temperature limitation
- QuickInstallation - Fastening via threaded connection with locking screws

**10.661.033.000FL** all chrome A 225

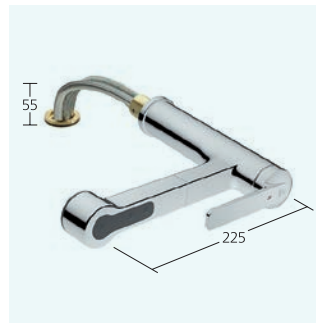


**Kitchen**

Lever mixer

- Detachable for installation below windows - detached 55 mm
- Swivel spout 150°
- OptimalSpace - Ample space for washing or working
- flow rate and temperature continuously variable
- temperature limitation
- Fastening by means of threaded sleeve M35 x 1.5 (preassembled socket)

**10.661.043.000FL** all chrome A 225



**Kitchen**

Lever mixer

- Detachable for installation below windows - detached 55 mm
- TouchProtect - Anti-scald protection thanks to the "double skin" principle
- Intrinsically safe against backflow
- Pull-out spray
- SprayClean - easy to clean and actively prevents limescale buildup
- up to 600 mm pull-out length
- TripleClean - Normal, soft, and power stream modes
- hose surface to fit faucet surface
- Hose guide, swivelling 120°
- EasyLock - a pull-out spray that easily slides back into place
- OptimalSpace - Ample space for washing or working
- flow rate and temperature continuously variable
- temperature limitation
- Fastening by means of threaded sleeve M35 x 1.5 (preassembled socket)

**10.661.053.000FL** all chrome A 225

**Kitchen**

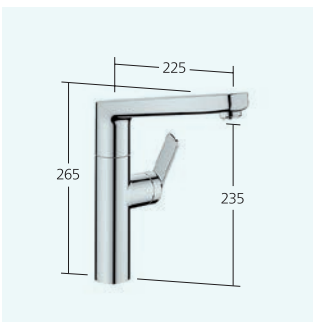
Lever mixer, low pressure

- Swivel spout 150°
- OptimalSpace - Ample space for washing or working
- flow rate and temperature continuously variable
- temperature limitation
- QuickInstallation - Fastening via threaded connection with locking screws

**10.665.023.000FL** all chrome A 225**Kitchen**

Lever mixer, low pressure

- TouchProtect - Anti-scald protection thanks to the "double skin" principle
- Intrinsicly safe against backflow
- Pull-out spray
  - SprayClean - easy to clean and actively prevents limescale buildup
  - up to 600 mm pull-out length
  - TripleClean - Normal, soft, and power stream modes
  - hose surface to fit faucet surface
- Hose guide, swivelling 120°
- EasyLock - A pull-out spray that easily slides back into place
- OptimalSpace - Ample space for washing or working
- flow rate and temperature continuously variable
- temperature limitation
- QuickInstallation - Fastening via threaded connection with locking screws

**10.665.033.000FL** all chrome A 225**Kitchen**

Lever mixer

- Lever installation only possible on the right side
- Child safety: cold water flow in lever position towards the front
- Gap between wall and centre of mounting hole min. 26 mm
- SwivelStop - swivel spout 360°, limitable to 150°
- OptimalSpace - Ample space for washing or working
- flow rate and temperature continuously variable
- temperature limitation
- QuickInstallation - Fastening via threaded connection with locking screws

**10.661.013.000FL** all chrome A 225**Kitchen**

Lever mixer

- Lever installation only possible on the right side
- Child safety: cold water flow in lever position towards the front
- Gap between wall and centre of mounting hole min. 26 mm
- TouchProtect - Anti-scald protection thanks to the "double skin" principle
- Intrinsicly safe against backflow
- Pull-out spray
  - SprayClean - easy to clean and actively prevents limescale buildup
  - up to 600 mm pull-out length
  - TripleClean - Normal, soft, and power stream modes
  - hose surface to fit faucet surface
- QuickConnect - Simple hose connection system
- Hose guide, swivelling 150°
- EasyLock - A pull-out spray that easily slides back into place
- OptimalSpace - Ample space for washing or working
- flow rate and temperature continuously variable
- temperature limitation
- QuickInstallation - Fastening via threaded connection with locking screws

**10.661.003.000FL** all chrome A 215

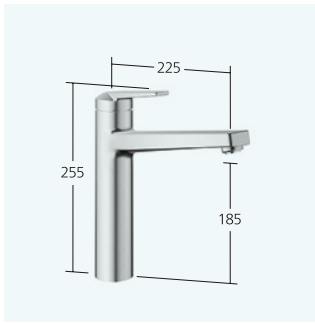


## THE ULTIMATE TOOL FOR YOUR KITCHEN

If true refinement and strict hygiene are priorities for you, the stainless-steel version is the perfect choice. The stainless-steel surface is durable, scratch- and abrasion-resistant, easy to clean, and above all, anti-bacterial. This is the ideal solution for the most intensively used work area in the kitchen: the sink/food preparation hub.



Strikes the perfect balance between special and refined: Thanks to its sophisticated aesthetics, the KWC DOMO E will be an elegant fit for your kitchen – whatever your style.

**Kitchen**

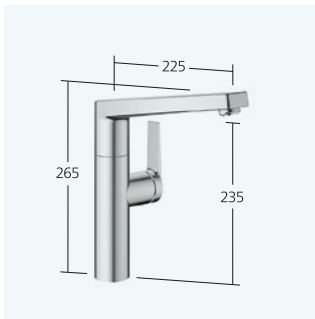
Lever mixer

- Swivel spout 150°
- OptimalSpace - Ample space for washing or working
- flow rate and temperature continuously variable
- temperature limitation
- QuickInstallation - Fastening via threaded connection with locking screws

**10.701.023.700FL** stainless steel A 225**Kitchen**

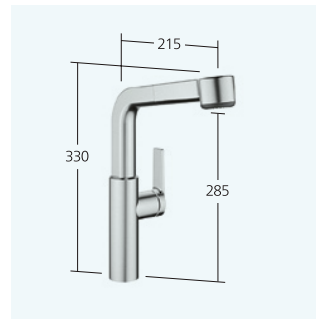
Lever mixer

- TouchProtect - Anti-scald protection thanks to the "double skin" principle
- Intrinsically safe against backflow
- Pull-out spray
- SprayClean - easy to clean and actively prevents limescale buildup
- up to 600 mm pull-out length
- TripleClean - Normal, soft, and power stream modes
- hose surface to fit faucet surface
- QuickConnect - Simple hose connection system
- Hose guide, swivelling 120°
- EasyLock - A pull-out spray that easily slides back into place
- OptimalSpace - Ample space for washing or working
- flow rate and temperature continuously variable
- temperature limitation
- QuickInstallation - Fastening via threaded connection with locking screws

**10.701.033.700FL** stainless steel A 225**Kitchen**

Lever mixer

- Lever installation only possible on the right side
- Child safety: cold water flow in lever position towards the front
- SwivelStop - swivel spout 360°, limitable to 150°
- OptimalSpace - Ample space for washing or working
- flow rate and temperature continuously variable
- temperature limitation
- QuickInstallation - Fastening via threaded connection with locking screws

**10.701.013.700FL** stainless steel A 225**Kitchen**

Lever mixer

- Lever installation only possible on the right side
- Child safety: cold water flow in lever position towards the front
- TouchProtect - Anti-scald protection thanks to the "double skin" principle
- Intrinsically safe against backflow
- Pull-out spray
- SprayClean - easy to clean and actively prevents limescale buildup
- up to 600 mm pull-out length
- TripleClean - Normal, soft, and power stream modes
- hose surface to fit faucet surface
- QuickConnect - Simple hose connection system
- Hose guide, swivelling 150°
- EasyLock - A pull-out spray that easily slides back into place
- OptimalSpace - Ample space for washing or working
- flow rate and temperature continuously variable
- temperature limitation
- QuickInstallation - Fastening via threaded connection with locking screws

**10.701.003.700FL** stainless steel A 215



