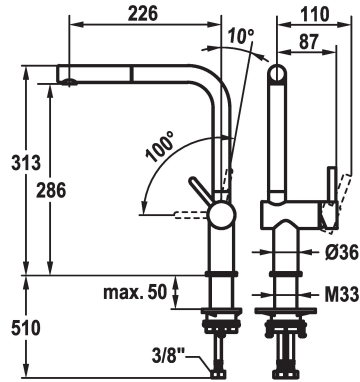


## KWC BEVO E Lever mixer - Kitchen

Modell-Linie: **BEVO E** | 10.531.103.700FL ++  
Taps | Manual taps



### KWC-No.

#### 10.531.103.700FL

stainless steel, A 225, flexible connection hoses

#### 10.531.103.751FL

industrial black, A 225, flexible connection hoses

- Lever installation only possible on the right side
    - Child safety: cold water flow in lever position towards the front
  - TouchProtect - anti-scald protection thanks to the "double skin" principle
  - Pull-out aerator
    - Neoperl® Caché®
    - up to 600 mm pull-out length
    - QuickConnect - Simple hose connection system
  - Hose guide, swivelling 150°
  - EasyLock - a pull-out spray that easily slides back into place
  - OptimalSpace - ample space for washing or working
  - KWC cartridge S 25
    - with ceramic discs
    - flow rate and temperature continuously variable
  - Flexible connection hoses 3/8"
  - QuickInstallation - Fastening via threaded connection with locking screws
  - Mounting hole size  $\varnothing 35$  mm
- Flow rate 8 l/min (3 bar)  
Acoustic group I

NEW

