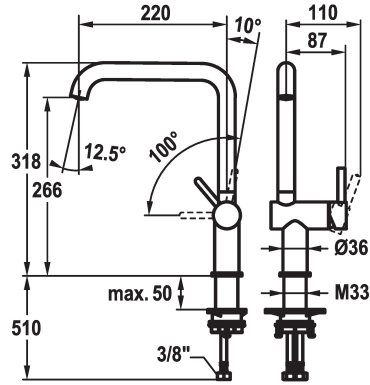


## KWC BEVO E Lever mixer - Kitchen

Modell-Linie: **BEVO E | 10.531.012.700FL ++**  
Taps | Manual taps



### KWC-No.

**10.531.012.700FL**  
stainless steel, A 220, flexible connection hoses

**10.531.012.751FL**  
industrial black, A 220, flexible connection hoses

- Lever installation only possible on the right side
    - Child safety: cold water flow in lever position towards the front
  - TouchProtect - anti-scald protection thanks to the "double skin" principle
  - Swivel spout 150°
    - Neoperl® Caché® laminar
  - OptimalSpace - ample space for washing or working
  - KWC cartridge S 25
    - with ceramic discs
    - flow rate and temperature continuously variable
  - Flexible connection hoses 3/8"
  - QuickInstallation - Fastening via threaded connection with locking screws
  - Mounting hole size ø35 mm
- Flow rate 8 l/min (3 bar)  
Acoustic group I

NEW

