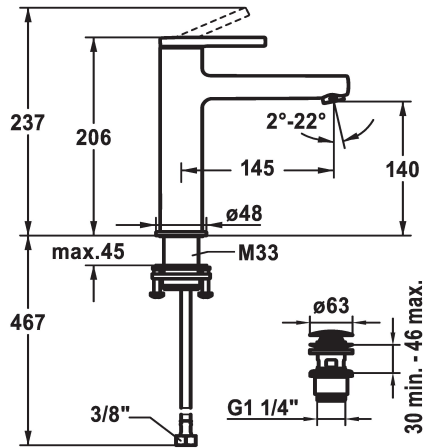


KWC AVA 2.0 Lever mixer - Basin

Modell-Linie: AVA 2.0 | 12.468.043.000FL ++
Taps | Manual taps



KWC-No.

12.468.043.000FL

all chrome, A 145, flexible connection hoses, with pop-up valve

12.468.053.000FL

all chrome, A 145, flexible connection hoses, without pop-up valve

12.468.643.000FL

all chrome, A 145, flexible connection hoses, with Push Open

- EcoProtect - water-saving device
- Fixed spout
 - Neoperl® Perlator® SSR, swivelling jet regulator
- OptimalSpace - ample space for washing or working
- KWC cartridge S 25
 - with ceramic discs
 - flow rate and temperature continuously variable
- Flexible connection hoses 3/8"
- QuickInstallation - Fastening via threaded connection with locking screws
- Mounting hole size $\varnothing 35$ mm
- Flow rate 5 l/min (3 bar)
Acoustic group I

