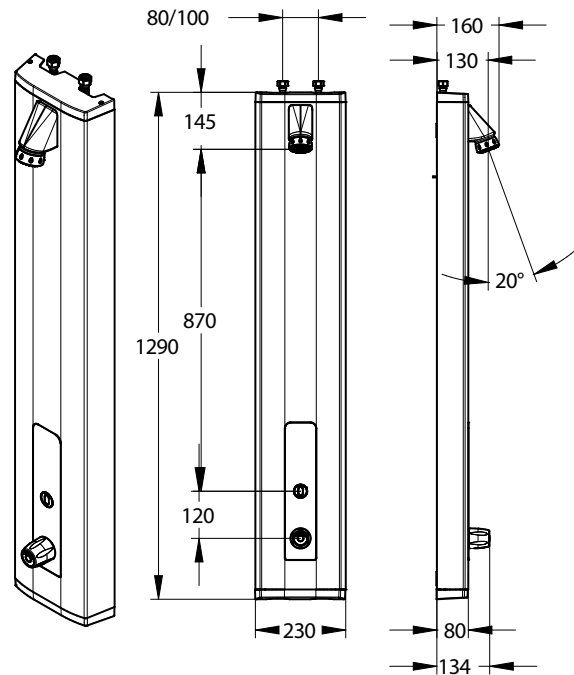


Range: PRESTOTEM 2

Ref: 88884 - Sensor shower panel with thermostatic mixer, fixed shower head, battery



> Working pressure :

- 1 to 5 bar

> Flow rate:

- 6l/min at 3 bar with integrated flow limiter
- Anti-water-hammering device
- Fixed shower head with orientable shower jet and anti-limescale spikes

> Operation:

- Hygienic electronic detection cell suitable for elderly and disabled people
- Detection range of the hand in front of the cell : 10 cm
- Wide opening panel without dismantling the product and shower valves on removable valve plate

> Flow time:

- 30 seconds - Adjustable through PRESTOCOM
- Start / Stop function. Stop not possible during the first 10 seconds - Adjustable through PRESTOCOM
- Adjustable duration and frequency of duty flush function through PRESTOCOM

> Hydraulic supply:

- G 1/2" (15x21), top water inlet. For rear water inlet, add the adaptation kit 91026.
- Thermostatic mixer tap with NF EN 1111 conform cartridge (with NF check valves)

> Power supply:

- 6 volt CRP2 lithium battery in a case integrated inside the panel

> Material and finish

- Anodised aluminium extruded section (2.5mm thickness)
- Aluminium removable valve plate, painted RAL 7005 colour
- High resistance RAL 7005 coloured ABS covers

> Thermal resistance :

- Resistant to a temperature of 75°C during 30 minutes (for 20 cycles) in case of thermal shocks

> Security :

- The solenoid valve closes automatically if the battery runs out
- Low battery warning light
- Pre-set 30 seconds duty-flush every 24 hours after the last use to avoid growth of bacteria (legionella, pseudomonas ...) adjustable through PRESTOCOM: http://www.prestodatashare.com/espacedoc/Notes_Annexes/Documents/Q5347.pdf
- Anti-scalding safety : flow is immediately stopped if the cold water or hot water is cut off, compliant to French norm EN1111

> Delivered with:

- 1/2" (15x21) hoses with revolving nuts
- MM 1/2" (15x21) straight stop valves and 250 micron filters
- Fastening screws
- Sensor detection sticker
- Instruction manual

> Standards & approvals :

- Brass body in accordance with EN 1982, EN 12164, EN 12165
- Chrome-plated surface treatment in accordance with EN 12540
- 200-hour neutral salt spray resistant (NSS) in accordance with ISO 9227

